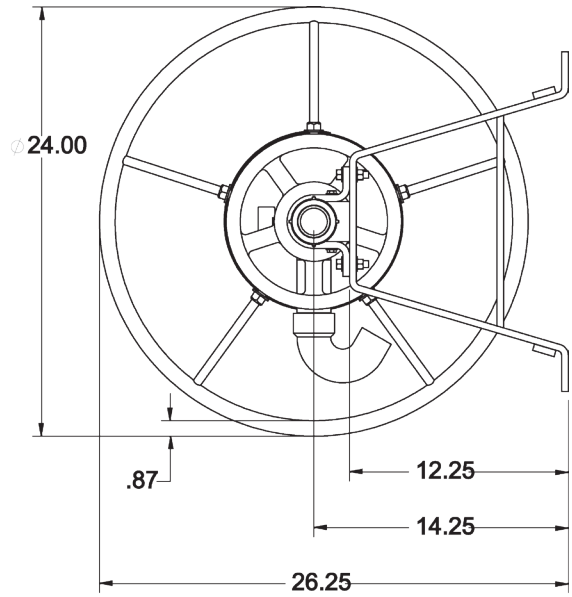
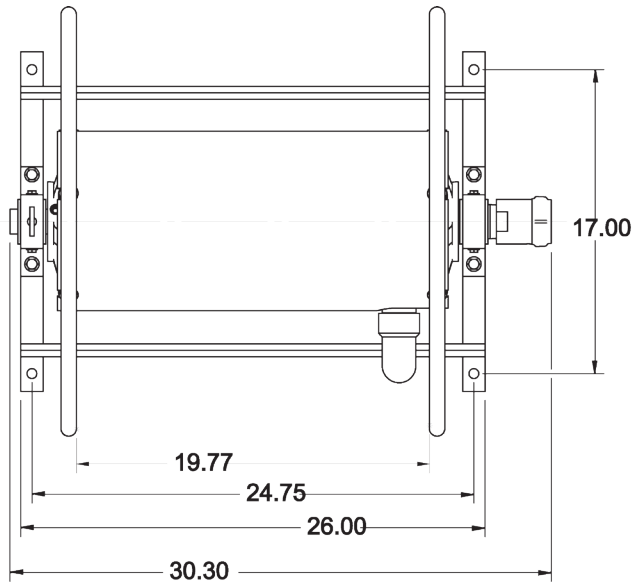


Global Continuous Flow Reels



Features

- Greaseless swivel and reel bearings improve performance
- Optional adapters (order separately):
 FM15S15F = 1-1/2" FNPSH x 1-1/2" MNST brass
 FM1515F = 1-1/2" FNPT x 1-1/2" MNST brass
- Replacement inlet swivel joints at bottom of page

Hose Size and Capacity		Inlet Size	Outlet Size	Steel Part #
3/4"	250'	1-1/2" NPT	1-1/2" NPT	FD471R-150-100
1"	150'			
1-1/2"	100'			



Cover for Global Continuous Flow Hose Reel

Cover for	Dimensions	Vinyl Part #
FD471R-150-100	27" x 24" x 26"	FD47-C2



Replacement parts for FD471R-150-100 Hose Reel

Features

- Ball-bearing swivel
- Requires no lubrication

Specification

- 200 PSI

Description	Cast Brass Part #
1-1/2" inlet ball bearing swivel joint	CSSF150T
Description	Part #
1-1/2" elbow	4316700501

