

## B5102-Series – Butterfly Valves Clamp

**Features**

- All sizes use only 3/4" of line space
- The grooved clamp housing connects directly to the corresponding sanitary clamp size
- PTFE valve disc bushings reduce friction and increase cycle life
- 3-position reversible handle
- 100% tested/100% inspected
- Can be serviced in the field (no special tools required)
- Various actuation options available

**Materials**

- Product contact material: 316L stainless steel
- Seat: silicone, EPDM, or FKM

**Specifications**

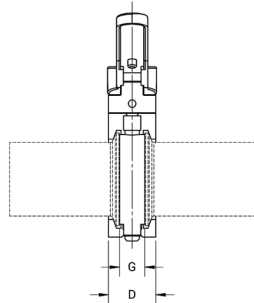
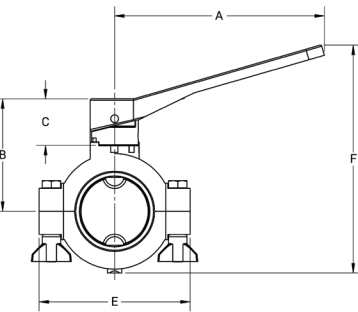
- Vacuum rating: 0.4 inches Hg at 68°F (20°C)
- Operating temperature range: 15°F to 200°F (-9°C to 93°C)

Information supplied based on water media at 68°F (20°C)

Size	Break Torque (in. lbs.)	Assembly Torque (in. lbs.)	Pressure Rating (PSI)	Flow Coefficient (C <sub>v</sub> )	Weight w/standard handle (lbs.)
1"	125	36	140	23	1.5
1-1/2"	185			80	2
2"	200	21.6	120	230	2.5
2-1/2"	260			264	3
3"	350	28.8	100	372	4
4"	495	43.2	70	800	6



Size	316L Stainless Steel with Silicone Seats Part #	316L Stainless Steel with FKM Seats Part #	316L Stainless Steel with EPDM Seats Part #
1"	B5102S100-A	B5102V100-A	B5102E100-A
1-1/2"	B5102S150-A	B5102V150-A	B5102E150-A
2"	B5102S200-A	B5102V200-A	B5102E200-A
2-1/2"	B5102S250-A	B5102V250-A	B5102E250-A
3"	B5102S300-A	B5102V300-A	B5102E300-A
4"	B5102S400-A	B5102V400-A	B5102E400-A



Size	Dimensions					
	A (in)	B (in)	C (in)	D (in)	E (in)	F (in)
1"	5.6	2.8	1.3	1.3	3.6	5.6
1-1/2"						
2"		3.0			4.1	6.1
2-1/2"		3.3			4.6	6.6
3"		3.6			5.3	7.1
4"	4.1	6.4	8.2			

### Repair Kits for B5102-Series Butterfly Valves

**Feature**

- Repair kit contains  
(1) seat  
(2) bushings



Valve Size	Black EPDM Part #	Red Silicone Part #	Brown FKM Part #
1"	B5102-RKE100	B5102-RKS100	B5102-RKV100
1-1/2"	B5102-RKE150	B5102-RKS150	B5102-RKV150
2"	B5102-RKE200	B5102-RKS200	B5102-RKV200
2-1/2"	B5102-RKE250	B5102-RKS250	B5102-RKV250
3"	B5102-RKE300	B5102-RKS300	B5102-RKV300
4"	B5102-RKE400	B5102-RKS400	B5102-RKV400