

Wilkerson® FRLs

C18-Series Compact Combination Units

Features

- Included components:
 - (2) end blocks
 - (2) mounting brackets with joiner set and port O-ring

Filter series F18:

- 5 micron element
- 1.72 oz. bowl

Regulator series R18:

- **0-125 PSI** adjusting range
- Self-relieving
- Supplied with a GC230 gauge

Lubricator series L18:

- 4 oz. bowl
- Adjustable oil feed
- Full view sight dome

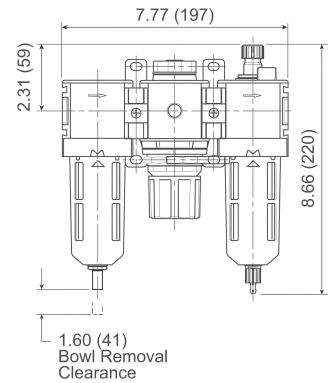
Specifications

- Maximum operating conditions:
 - transparent bowl: **150 PSIG (10.3 bar)** and **-13°F to 125°F (-25°C to 52°C)**
 - metal bowl: **250 PSIG (17.2 bar)** and **-13°F to 150°F (-25°C to 66°C)**

Size	Flow (SCFM)	Transparent Bowl and Guard		Metal Bowl with Sight Glass	
		Automatic Drain Part #	Manual Drain Part #	Automatic Drain Part #	Manual Drain Part #
1/4"	110	C18-02A	C18-02M	C18-02AMB	C18-02MMB
3/8"	160	C18-03A	C18-03M	C18-03AMB	C18-03MMB
1/2"	160	C18-04A	C18-04M	C18-04AMB	C18-04MMB



with metal bowl



C26-Series Standard Combination Units

Features

- Included components:
 - (2) modular sleeves
 - (2) mounting brackets (sleeve and bracket)
 - (2) end blocks

Filter series F26:

- 5 micron element
- 3.2 oz. bowl

Regulator series R26:

- **0-125 PSI** adjusting range
- Self-relieving
- Supplied with a GC230 gauge

Lubricator series L26:

- 10 oz. bowl
- Adjustable oil feed
- Full view sight dome

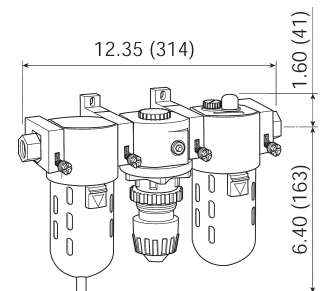
Specifications

- Maximum operating conditions:
 - transparent bowl: **150 PSIG (10.3 bar)** and **32°F to 125°F (0°C to 52°C)**
 - metal bowl: **200 PSIG (13.8 bar)** and **32°F to 175°F (0°C to 80°C)**

Size	Flow (SCFM)	Transparent Bowl and Guard		Metal Bowl	
		Automatic Drain Part #	Manual Drain Part #	Automatic Drain Part #	Manual Drain Part #
3/8"	60	C26-03A	C26-03M	C26-03AMB	C26-03MMB
1/2"	128	C26-04A	C26-04M	C26-04AMB	C26-04MMB



with metal bowl



NOTE: SCFM ratings at **150 PSIG** inlet pressure.

FRLs are designed for air service only, unless otherwise indicated.

