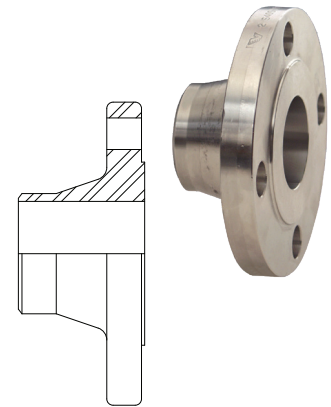


150 Lb. Weld Neck ASA Forged Flanges

Feature

- Raised face

Size	Number of Bolts	Carbon Steel Part #
1"	4	WN100
1-1/2"		WN150
2"		WN200
3"		WN300
4"	8	WN400
5"		WN500
6"		WN600
8"		WN800
10"	12	WN1000



150 Lb. Flange Gaskets

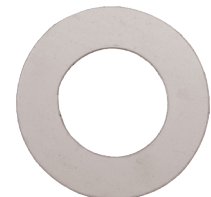
Features

- Standard drop-ring type all 1/16" thick
- Reference page 1068 for joint sealant gasket material
- For flange dimensional information and diagrams please reference dixonvalve.com

Size	Neoprene Part #	Klingsersil® C-4401 Part #	PTFE Part #
1"	NG10	AG10	---
1-1/4"	NG15	AG15	---
1-1/2"	NG20	AG20	---
2"	NG25	AG25	PG25
2-1/2"	NG30	AG30	---
3"	NG35	AG35	PG35
4"	NG40	AG40	PG40
5"	NG50	---	---
6"	NG60	AG60	PG60
8"	NG80	AG80	---



neoprene



Klingsersil® C-4401

150 Lb. PTFE Flange Gasket Kit

Features

- 150 lb. PTFE flange gasket with 5/8" bolts, nuts, and lock washers

Sizes

- 3"-4"

Size	Bolt Length	Part #
3"	3"	PG35-3008Z
	3-1/2"	PG35-3508Z
4"	3"	PG40-3008Z
	3-1/2"	PG40-3508Z



PG35-3008Z

150 Lb. Neoprene Flange Gasket Kit

Features

- 150 lb. neoprene flange gasket with 5/8" bolts, nuts, and lock washers

Sizes

- 3"-4"

Size	Bolt Length	Part #
3"	3"	NG35-3008Z
	3-1/2"	NG35-3508Z
4"	3"	NG40-3008Z
	3-1/2"	NG40-3508Z



NG40-3008Z