

Norma/FGR Grip E Couplings



Applications

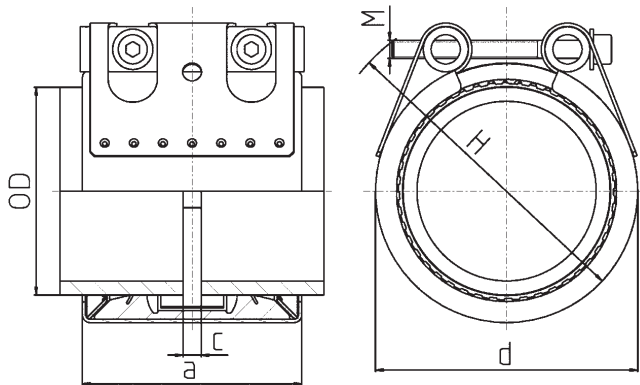
- Construction, water management, industrial pipelines, ship building
- Designed for the quick installation without service interruption

Sizes

- Pipe O.D. sizes 1"-24"

Features

- Heavy duty lock bars
- Anchoring ring with conically stamped teeth
- Axial restraint
- Standard EPDM seal (NBR and FKM also available as specials)
- Joins pipes of same or dissimilar material; best for metal to metal connections
- Metal strip insert (only replaceable component)



Size	Pipe O.D. Range		Working Pressure PSI	C max	Dimensions (approx.)			316 Ti Stainless Steel Part #
	Actual	Min to Max			A	D	H	
3/4"	1.06"	1.04" to 1.08"	1,015	0.118"	2.637"	1.9687"	2.755"	05799300026
1"	1.33"	1.30" to 1.35"	870	0.118"	2.637"	2.165"	2.952"	05799300033
1-1/2"	1.90"	1.87" to 1.99"	725	0.314"	2.48"	2.755"	3.543"	05799300048
2"	2.37"	2.34" to 2.40"	580	0.669"	3.07"	3.346"	4.133"	05799300060
2-1/2"	2.87"	2.84" to 2.91"	580	0.984"	3.858"	3.74"	4.53"	05799300073
3"	3.50"	3.43" to 3.54"	508	0.984"	3.858"	4.33"	5.118"	05799300088
4"	4.50"	4.45" to 4.55"	508	0.984"	3.858"	5.314"	6.102"	05799300114
5"	5.50"	5.44" to 5.57"	464	1.377"	4.527"	6.496"	7.677"	05799300139
6"	6.63"	6.56" to 6.70"	464	1.377"	4.527"	7.677"	8.858"	05799300168
8"	8.63"	8.50" to 8.70"	290	1.377"	5.59"	9.842"	11.02"	05778300219

⚠ WARNING: Misuse of this product can cause serious injury or even death.

⚠ WARNING: Pressurized steam is an extremely dangerous commodity. Only hose, fittings, clamps, and accessory items that have been approved by Dixon for use with Dixon products for steam service should ever be used. Never use an unapproved item for steam service. Always follow the manufacturer's product recommendations for pressurized steam handling.