

TVPC-Series Air & Vacuum Relief Tank Vent Valves

When filling or emptying a tank, this valve is used to relieve pressure or vacuum. The stainless steel dome will help in preventing external contamination.

Features

- 2" and 3" clamp connections on same valve

Materials

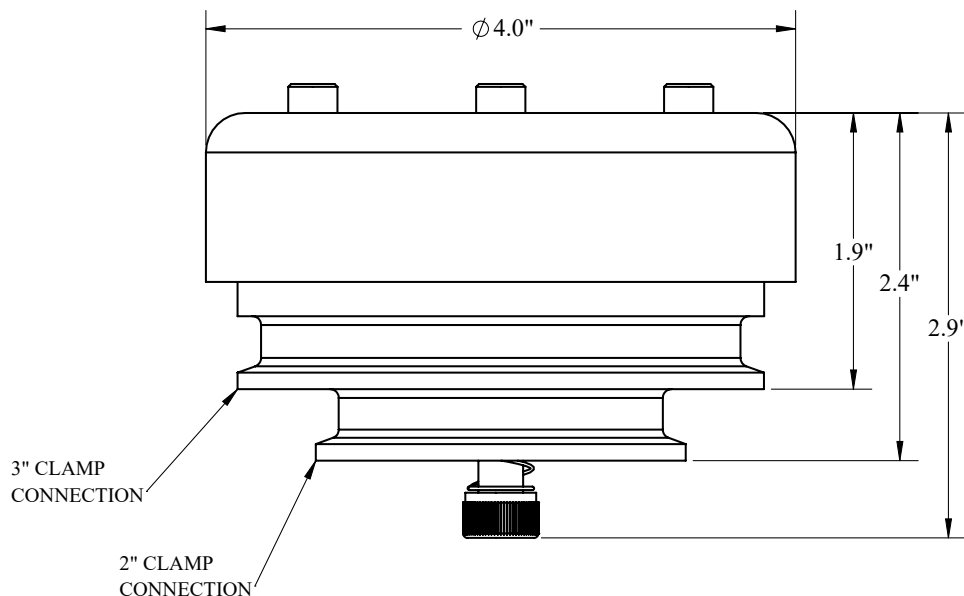
- Metal component: 304 stainless steel
- Other component: PVC


Specifications

- Vacuum break: 2" water column (**0.1 PSI**)
- Pressure relief: 2" water column (**0.1 PSI**)
- Maximum tank fill and evacuation rate: **250 GPM**
- Maximum operating temperature: **120°F (49°C)**
- Minimum operating temperature: **40°F (4.4C)**

Size	304 Stainless Steel Part #
2" - 3"	TVPC200-300

Dimensions


M

NOTES: This valve has been designed as a secondary pressure and vacuum relief vent. Always open upper manhole whenever product is being transferred in excess of 250 gallons per minute. Dixon Sanitary assumes no liability for tank damage or product loss. 

All dimensions are approximate. Engineering dimensions are available upon request. Specifications are subject to change without notice.