

HAV-Series Air Relief Check Valves



Installed vertically on suction lines where air removal is required. This valve is double-seated with a freely moving polypropylene ball. The ball, which is lighter than water, closes against the upper or lower seat, against vacuum or positive pressure conditions. Under vacuum, the ball sits at the bottom of the valve. Under positive pressure, the ball moves allowing air to escape.

Sizes

- 1-1/2" to 2"

Features

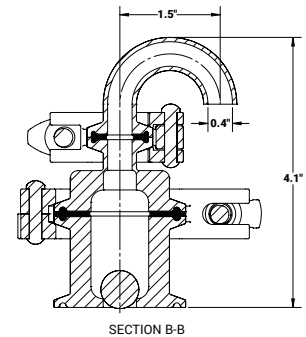
- No special tools required
- Ball and gaskets are replaceable
- Valve seals are under pressure and vacuum

Materials

- Materials of construction technical data:
 - Product contact components: 304 stainless steel
 - Ball: polypropylene (standard) or PTFE
 - Gasket: EPDM (standard); others available upon request

Specifications

- Product temperature technical data:
 - Maximum operating temperature: **212°F (100°C)**
- Product pressure technical data:
 - Maximum operating pressure: **145 PSI**
- Surface finish technical data:
 - Internal product contact surface finish ≤ 32 Ra
 - Others available upon request
- 3A approved only when used with elbow extension



Size	3A Elbow Part #	NPT Part #
1-1/2"	HAV3EA150	HAVNEA150
2"	HAV3EA200	HAVNEA200

Repair Kits for HAV-Series Air Relief Check Valves

Size	Polypropylene Ball Part #	PTFE Ball Part #
All	HAV-3P	HAV-3T

