

B45Y-Series Air Blow Check Valve

Used with HYC-Series Y-ball check valves to evacuate product or inject clean air or gas into the system.

Feature

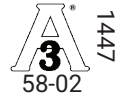
- Ball stabilizer design for improved ball stability

Specifications

- Maximum operating temperature: **212°F (100°C)**
- Maximum operating pressure: **145 PSI**

Materials

- Product contact metal components: 316L stainless steel
- Non-product contact metal components: 304 stainless steel
- Product contact seals: EPDM



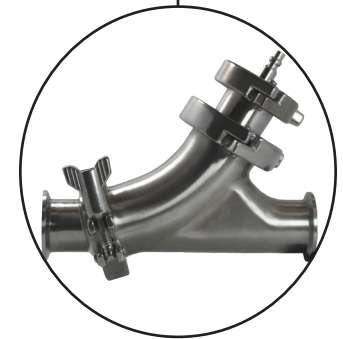
Size	1/4" Quick-Connect Plug Part #	1/2" NPT Cap Part #	1" Hose Barb Part #	Air Relief Cap Part #
2"	B45YAB-R200	B45YBC-R200	B45YCC-R200	B45YAR-R200
2-1/2"	B45YAB-R250	B45YBC-R250	B45YCC-R250	B45YAR-R250
3"	B45YAB-R300	B45YBC-R300	B45YCC-R300	B45YAR-R300
4"	B45YAB-R400	B45YBC-R400	B45YCC-R400	B45YAR-R400

NOTE: Optional filter B45ABFD150 – 1 micron filter, qty 50 per pack.

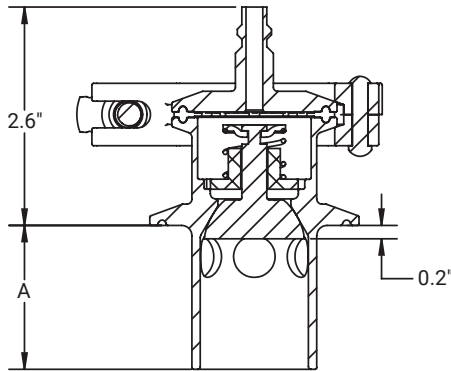


B45Y-series body with Clever Clamp™

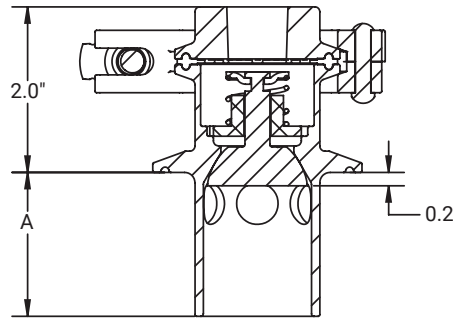
Can only be used on the Dixon® HYC-Series Y-ball check valves



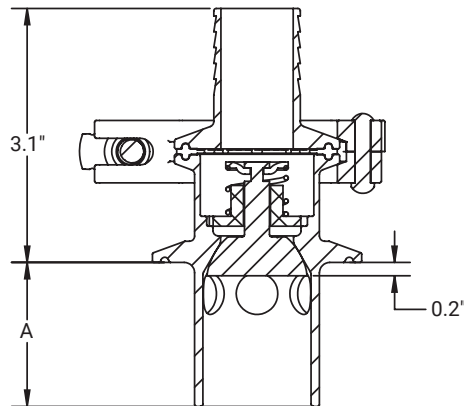
Dimensions



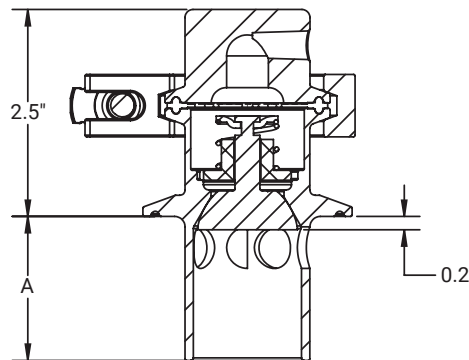
B45YAB



B45YBC



B45YCC



B45YAR

Repair Kit

- Repair kit, B45AB-RK, contains
- (1) EPDM/316L stainless perforated disc
 - (1) 304 stainless spring retainer
 - (1) 304 stainless spring
 - (1) nylon stem guide
 - (1) 316L/EPDM stem and plug

Size	A (in)
2"	1.71
2-1/2"	1.80
3"	1.68
4"	2.14

NOTE: All dimensions are approximate. Engineering dimensions are available upon request. Specifications are subject to change without notice.

Sizing Chart

NOTE: When using air blow check valves with ball check valves, refer to the sizing chart below.

Ball Check Valve Size	Air Blow Check Valve Size
1-1/2"	2"
2"	2-1/2"
2-1/2"	3"
3"	4"