



HSC and EHSC-Series Spring Check Valve

Used in sanitary processes to prevent backflow of fluids. The HSC-Series is for vertical applications and the EHSC-series is for horizontal applications. These valves are certified clean-in-place for sizes 1" thru 4" and clean-out-of-place for sizes 1/2" and 3/4".

Features

- Single-piece upper-body spider design
- Standard O-ring and gasket seal design
- Can be serviced in the field (no special tools required)
- Internal product contact surface finish ≤ 32 Ra
- Suitable for low and medium-viscosity fluids
- Connection: clamp (standard), others available upon request
- HSC drainable for vertical applications only, EHSC drainable for horizontal applications



Size	Pressure Rating	Cracking Pressure (PSI)	Operating Temperature	HSC EPDM 316L Stainless Steel Part #	HSC FKM 316L Stainless Steel Part #	EHSC EPDM 316L Stainless Steel Part #	EHSC FKM 316L Stainless Steel Part #
1/2"	145 PSI	10.0	15°F to 200°F (-9°C to 93°C)	HSCE050	HSCV050	EHSCE050	EHSCV050
3/4"		4.0		HSCE075	HSCV075	EHSCE075	EHSCV075
1"		2.5		HSCE100	HSCV100	EHSCE100	EHSCV100
1-1/2"		1.0		HSCE150	HSCV150	EHSCE150	EHSCV150
2"		1.5		HSCE200	HSCV200	EHSCE200	EHSCV200
2-1/2"		0.8		HSCE250	HSCV250	EHSCE250	EHSCV250
3"		0.5		HSCE300	HSCV300	EHSCE300	EHSCV300
4"		0.4		HSCE400	HSCV400	EHSCE400	EHSCV400

Repair Kits

Size	HSC FKM Part #	HSC EPDM Part #	EHSC FKM Part #	EHSC EPDM Part #
1/2"	HSC-RKV050	HSC-RKE050	EHSC-RKV050	EHSC-RKE050
3/4"	HSC-RKV075	HSC-RKE075	EHSC-RKV075	EHSC-RKE075
1"	HSC-RKV100	HSC-RKE100	EHSC-RKV100	EHSC-RKE100
1-1/2"	HSC-RKV150	HSC-RKE150	EHSC-RKV150	EHSC-RKE150
2"	HSC-RKV200	HSC-RKE200	EHSC-RKV200	EHSC-RKE200
2-1/2"	HSC-RKV250	HSC-RKE250	EHSC-RKV250	EHSC-RKE250
3"	HSC-RKV300	HSC-RKE300	EHSC-RKV300	EHSC-RKE300
4"	HSC-RKV400	HSC-RKE400	EHSC-RKV400	EHSC-RKE400

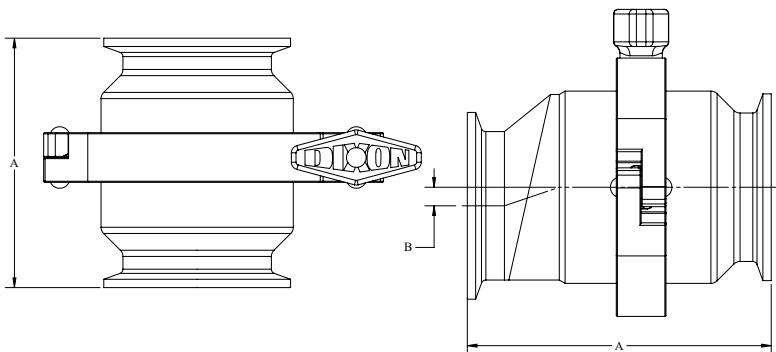
1/2"-3/4" repair kit contains:
 (1) body gasket
 (1) plunger O-ring
 (1) spider O-ring

1"-4" repair kit contains:
 (1) body gasket
 (1) plunger O-ring

1" EHSC repair kit contains:
 (2) body gaskets
 (1) plunger O-ring



Dimensions



Size	HSC (in)		EHSC (in)	
	A		B	
1/2"	2.70	3.10	0.3	
3/4"				
1"	3.30	4.00		
1-1/2"	3.40	3.60		
2"		4.10		
2-1/2"		4.00		
3"	4.10	4.70	0.4	
4"				