

L5107-Series – Butterfly Valve

Features

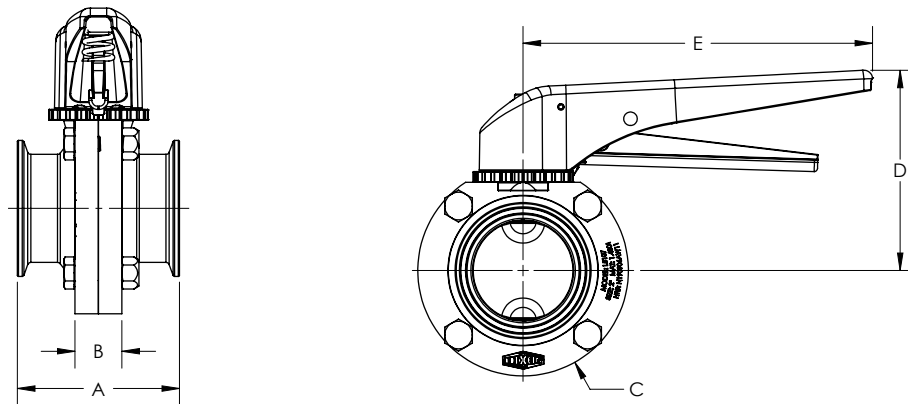
- 360° trigger sprocket allows handle to be easily rotated to both sides of the valve without disassembly and reassembly of handle
- Compact design with reduced face-to-face dimensions
- High performance rubber seat design
- Same seat design as Dixon's premium B5107-series butterfly valve line
- Hex head body bolts eliminate cavities of socket head screws for cleaner exterior design
- Durable high performance polyamide handle with stainless trigger reduces weight of overall assembly
- Valve ships complete with handle installed and ready for operation

Materials

- Product contact material: 304 forged stainless steel
- Non-product contact material: 304 stainless steel
- Product contact seals: EPDM, silicone, or FKM

Specifications

- Operating temperature range: 15°F to 200°F (-9°C to 93°C)
- Minimum product line pressure: 0.4" Hg vacuum (absolute) at 68°F (20°C)



Clamp End with Plastic Trigger Handle

M

Size	Dimensions					304 Stainless Steel with FKM Part #	304 Stainless Steel with Silicone Part #	304 Stainless Steel with EPDM Part #
	A (in)	B (in)	C (in)	D (in)	E (in)			
1"	3.00	0.866	3.071	3.363	6.469	L5107V100CC-P	L5107S100CC-P	L5107E100CC-P
1-1/2"			3.898	3.707		L5107V150CC-P	L5107S150CC-P	L5107E150CC-P
2"			4.606	4.119		L5107V200CC-P	L5107S200CC-P	L5107E200CC-P
2-1/2"			5.197	4.312		L5107V250CC-P	L5107S250CC-P	L5107E250CC-P
3"		1.181	6.657	5.109		L5107V300CC-P	L5107S300CC-P	L5107E300CC-P
4"			L5107V400CC-P	L5107S400CC-P		L5107E400CC-P		

Repair Kits

Size	FKM Part #	Silicone Part #	EPDM Part #
1"	B5107-RKV100	B5107-RKS100	B5107-RKE100
1-1/2"	B5107-RKV150	B5107-RKS150	B5107-RKE150
2"	B5107-RKV200	B5107-RKS200	B5107-RKE200
2-1/2"	B5107-RKV250	B5107-RKS250	B5107-RKE250
3"	B5107-RKV300	B5107-RKS300	B5107-RKE300
4"	B5107-RKV400	B5107-RKS400	B5107-RKE400

NOTE: Repair kits contain (1) valve seat, (1) bushing, and (1) seat lubricant pack.