

## Sight Glasses

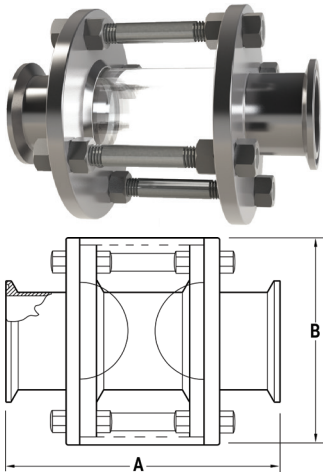
### Sizes

- 1" – 6" O.D. tube

### Materials

- Body: 316L stainless steel
- Sight glass: borosilicate glass or polycarbonate
- Gaskets: white nitrile rubber, FKM, or EPDM
- 32Ra sanitary finish, I.D. and O.D.

### In-line – B54BMP



### Specifications

- Various end configurations are available: clamp, weld, bevel seat, John Perry, I-Line and Q-Line
- Maximum temperature: 200°F (93°C)

| Tube O.D. | A (in) | B (in) | Working Pressure (PSI) | 316L Stainless Steel Borosilicate Glass Part # | 316L Stainless Steel Polycarbonate Part # |
|-----------|--------|--------|------------------------|--|---|
| 1"        | 5.62   | 3.25   | 145                    | B54BMP-R100                                    | B54BMP-R100LX                             |
| 1-1/2"    |        | 4.00   |                        | B54BMP-R150                                    | B54BMP-R150LX                             |
| 2"        |        | 4.25   |                        | B54BMP-R200                                    | B54BMP-R200LX                             |
| 2-1/2"    | 6.12   | 4.75   | 120                    | B54BMP-R250                                    | B54BMP-R250LX                             |
| 3"        | 7.25   | 5.50   |                        | B54BMP-R300                                    | B54BMP-R300LX                             |
| 4"        | 7.37   | 6.50   |                        | B54BMP-R400                                    | B54BMP-R400LX                             |
| 6"        | 7.62   | 9.50   |                        | B54BMP-R600                                    | B54BMP-R600LX                             |
|           |        |        | 80                     |  |   |

### Kits and Replacement Parts

| Size   | Nitrile Rubber Seal Kit Part # <sup>1</sup> | FKM Seal Kit Part # <sup>2</sup> | Borosilicate Glass Replacement Part # | Polycarbonate Replacement Part # |
|--------|---|----------------------------------|---------------------------------------|----------------------------------|
| 1"     | B54BMP-SK100                                | B54BMP-VK100                     | B54G-P100                             | B54BMP-LX100                     |
| 1-1/2" | B54BMP-SK150                                | B54BMP-VK150                     | B54G-P150                             | B54BMP-LX150                     |
| 2"     | B54BMP-SK200                                | B54BMP-VK200                     | B54G-P200                             | B54BMP-LX200                     |
| 2-1/2" | B54BMP-SK250                                | B54BMP-VK250                     | B54G-P250                             | B54BMP-LX250                     |
| 3"     | B54BMP-SK300                                | B54BMP-VK300                     | B54G-P300                             | B54BMP-LX300                     |
| 4"     | B54BMP-SK400                                | B54BMP-VK400                     | B54G-P400                             | B54BMP-LX400                     |
| 6"     | B54BMP-SK600                                | B54BMP-VK600                     | B54G-P600                             | B54BMP-LX600                     |

<sup>1</sup> Kit contains (2) black nitrile gaskets

<sup>2</sup> Kit contains (2) FKM gaskets

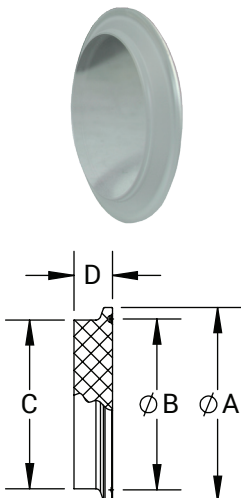
### Acrylic Sight Glass End Caps – B5416MP

### Feature

- For use with clamp connections

### Specifications

- Maximum temperature: 150°F (66°C)
- Maximum operating pressure: 100 PSI



| Tube O.D.   | A (in) | B (in) | C (in) | D (in) | Acrylic Plastic Part # |
|-------------|--------|--------|--------|--------|------------------------|
| 1" – 1-1/2" | 1.98   | 1.72   | 1.68   | .50    | B5416MP-A100150        |
| 2"          | 2.52   | 2.22   | 2.19   |        | B5416MP-A200           |
| 2-1/2"      | 3.05   | 2.78   | 2.71   |        | B5416MP-A250           |
| 3"          | 3.58   | 3.28   | 3.22   |        | B5416MP-A300           |
| 4"          | 4.68   | 4.34   | 4.26   |        | B5416MP-A400           |
| 6"          | 6.57   | 6.18   | 6.13   |        | B5416MP-A600           |
| 8"          | 8.57   | 8.17   | 8.22   |        | B5416MP-A800           |