

Vacuum Fittings

Material Test Reports – MTR

An MTR is a report that contains information about the raw materials, chemical properties, and mechanical properties of a part. Dixon Sanitary provides material test reports upon request. Here's how you can access them:

Each MTR will contain:

- Part number and part description
- Material and material standards
- Heat number
- Chemical properties
- Mechanical properties
- Job number

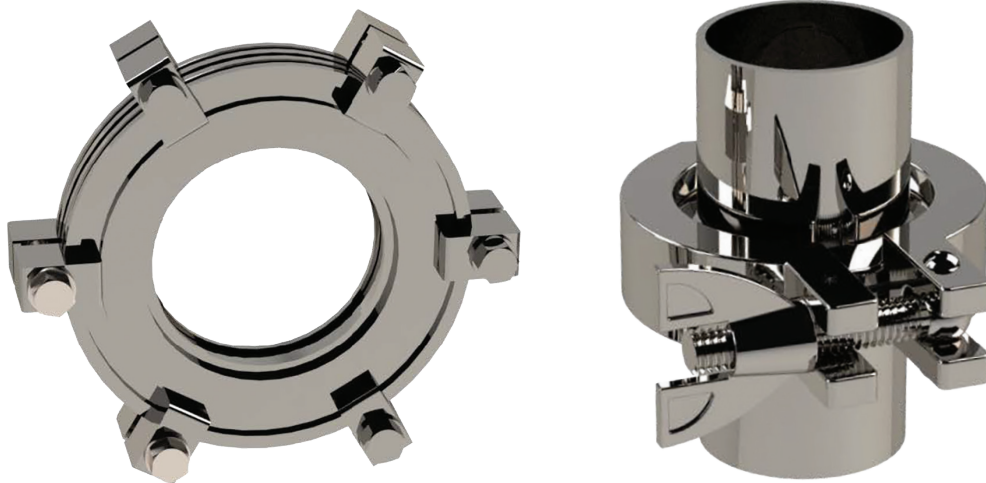


To retrieve an MTR by QR code:

1. Scan the QR code on the product packaging
2. Enter the job number (found on the product's packaging bag)
3. Review the MTR

To retrieve an MTR at [dixonvalve.com](https://www.dixonvalve.com):

1. Go to [dixonvalve.com/knowledge-center/interactive-tools/mtr](https://www.dixonvalve.com/knowledge-center/interactive-tools/mtr)
2. Enter the job number (found on the product's packaging bag)
3. Review the MTR

**M**