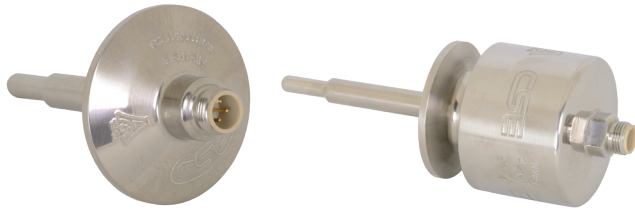




Sanitary RTDs and Temperature Transmitters



Sanitary RTD



Temperature transmitter

Materials

- Product contact: 316L stainless
- Exterior surfaces 316L with a near mirror finish

Features

- Standard 12mm industrial connector with gold-plated contacts for maximum corrosion resistance and cleanability
- Sensor elements are accurate up to +/-0.1C

Specifications

- RTD – temperature range: -58°F to 392°F (-50°C to 200°C)
- TT – temperature range: -22°F to 302°F (-30°C to 150°C)

Ordering Information

Series

- RTD.....Sani-Flow resistive temperature device
- TTSani-Flow temperature transmitter

Sanitary Fittings

Fittings available in 5, 75, 15, 20, 25, 30, and 40

- H.....G and H 'H' line male
- I.....Male I-line
- K.....APC 'K' clamp
- Q.....Q-line
- T.....#13H captive nut and #14 bevel seat
- U.....Tri-clamp®

NOTE: Specify size, then adapter type such as 15U for 1-1/2" Tri-clamp adapter

NOTE: For special probes, add SP and the required probe length at the end of the part number, such as SP2.75 for a 2-3/4" long probe

Other Fittings

Specify probe length

- A.....air space
- M.....umbrella fittings
- NPT1/4", 3/8", 1/2", 5/8", or 3/4" pipe thread
- PWprojectile well with 1-1/4"-18 UNEF male thread
- SPsplit ferrule
- VPVAT well fitting with #13H captive nut
- OF.....no fitting

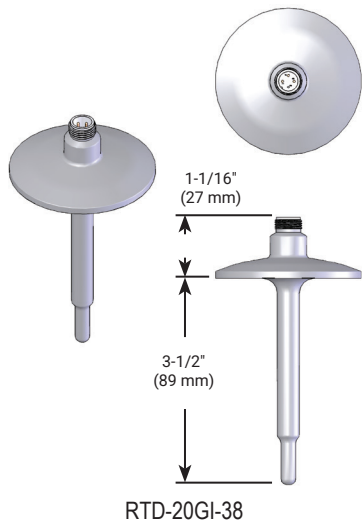
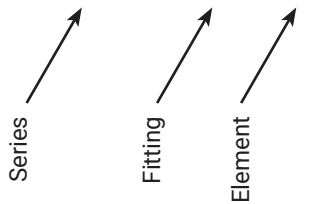
Element¹

- E1.....single element
- E2.....dual element

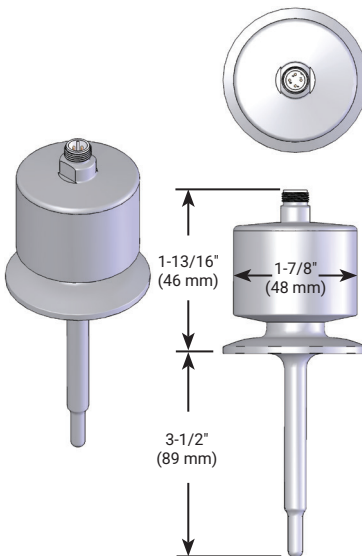
¹ Available for RTD only

Model Number Breakdown

RTD - 15U - E1



RTD-20GI-38



TT-20-G1

Product not returnable and no cancellations.