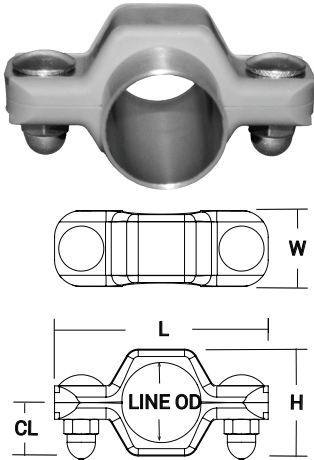


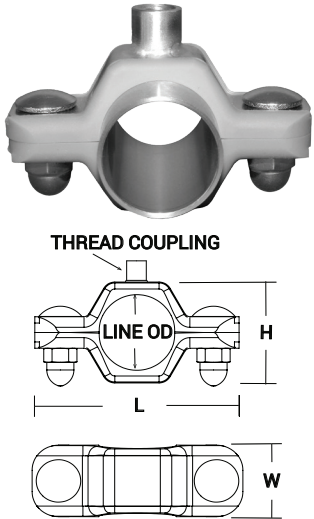
Tube Process Hex Hangers

Process Hex Hanger Weld Mount – B24V-PH



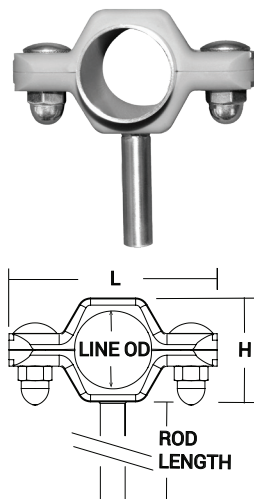
Tube O.D.	Line O.D. (in)	H (in)	L (in)	W (in)	CL (in)	304 Stainless Steel With Acorn Nut Part #	304 Stainless Steel With Lock Nut Part #
1/2"	0.50	1.15	2.80	1.10	0.58	B24-PH-G050	B24-PHL-G050
3/4"	0.75					B24-PH-G075	B24-PHL-G075
1"	1.00	1.45	3.00	1.42	0.73	B24-PH-G100	B24-PHL-G100
1-1/2"	1.50	1.93	4.00		0.98	B24-PH-G150	B24-PHL-G150
2"	2.00	2.50	4.60	1.42	1.25	B24-PH-G200	B24-PHL-G200
2-1/2"	2.50	4.00	5.10		4.00	B24-PH-G250	B24-PHL-G250
3"	3.00	3.50	5.60	1.42	1.75	B24-PH-G300	B24-PHL-G300
4"	4.00	4.55	6.75		2.28	B24-PH-G400	B24-PHL-G400

Process Hex Hanger Weld Mount Threaded Couplings – B24V-PHC



Tube O.D.	Line O.D. (in)	H (in)	L (in)	W (in)	Rod (stock length)		304 Stainless Steel With Acorn Nut Part #	304 Stainless Steel With Lock Nut Part #
					Height (in)	Thread		
1/2"	0.50	1.15	2.80	1.10	0.47	3/8"-16	B24-PHC-G050	B24-PHCL-G050
3/4"	0.75						B24-PHC-G075	B24-PHCL-G075
1"	1.00	1.45	3.00	1.42	0.59	1/2"-13	B24-PHC-G100	B24-PHCL-G100
1-1/2"	1.50	1.93	4.00				B24-PHC-G150	B24-PHCL-G150
2"	2.00	2.50	4.60	1.42	0.59	1/2"-13	B24-PHC-G200	B24-PHCL-G200
2-1/2"	2.50	4.00	5.10				B24-PHC-G250	B24-PHCL-G250
3"	3.00	3.50	5.60	1.42	0.59	1/2"-13	B24-PHC-G300	B24-PHCL-G300
4"	4.00	4.55	6.75				B24-PHC-G400	B24-PHCL-G400

Process Hex Hanger Weld Mount Rod Attached – B24V-PHR6



Tube O.D.	Line O.D. (in)	H (in)	L (in)	W (in)	Rod (stock length)		304 Stainless Steel With Acorn Nut Part #	304 Stainless Steel With Lock Nut Part #
					Length (in)	O.D. (in)		
1/2"	0.50	1.15	2.80	1.10	6	0.38	B24-PHR6-G050	B24-PHRL-PHR6L
3/4"	0.75						B24-PHR6-G075	B24-PHRL-G075
1"	1.00	1.45	3.00	1.42	6	0.38	B24-PHR6-G100	B24-PHR6L-G100
1-1/2"	1.50	1.93	4.00				B24-PHR6-G150	B24-PHR6L-G150
2"	2.00	2.50	4.60	1.42	6	0.50	B24-PHR6-G200	B24-PHR6L-G200
2-1/2"	2.50	4.00	5.10				B24-PHR6-G250	B24-PHR6L-G250
3"	3.00	3.50	5.60	1.42	6	0.63	B24-PHR6-G300	B24-PHR6L-G300
4"	4.00	4.55	6.75				B24-PHR6-G400	B24-PHR6L-G400