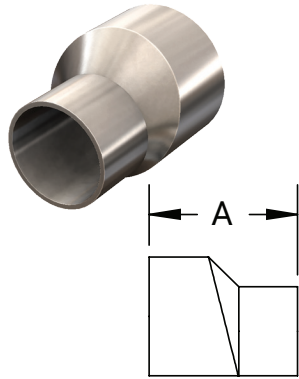


High Purity BioPharm Fittings



Weld x Weld Eccentric Reducers – 2211E

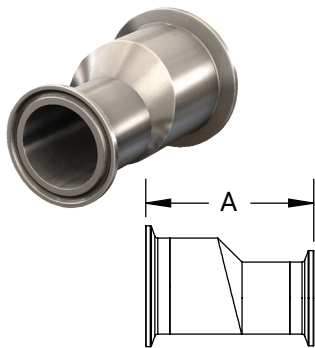


BPE Table DT-4.1.3-1
ASME BPE 2019

Tube O.D.	A (in)	Nominal Wall (in)	PL finish – SF1	PM finish – SF4
3/4" x 1/2"	2.125	0.065 x 0.065	2211EBB075050F1	2211EBB075050F4
1" x 1/2"	2.500		2211EBB100050F1	2211EBB100050F4
1" x 3/4"	2.125		2211EBB100075F1	2211EBB100075F4
1-1/2" x 3/4"	3.000		2211EBB150075F1	2211EBB150075F4
1-1/2" x 1"	2.500		2211EBB150100F1	2211EBB150100F4
2" x 1"	3.375		2211EBB200100F1	2211EBB200100F4
2" x 1-1/2"	2.500		2211EBB200150F1	2211EBB200150F4
2-1/2" x 1-1/2"	3.375		2211EBB250150F1	2211EBB250150F4
2-1/2" x 2"	2.500		2211EBB250200F1	2211EBB250200F4
3" x 1-1/2"	4.250		2211EBB300150F1	2211EBB300150F4
3" x 2"	3.375		2211EBB300200F1	2211EBB300200F4
3" x 2-1/2"	2.625		2211EBB300250F1	2211EBB300250F4
4" x 2"	5.125		0.083 x 0.065	2211EBB400200F1
4" x 2-1/2"	4.250	2211EBB400250F1		2211EBB400250F4
4" x 3"	3.875	2211EBB400300F1		2211EBB400300F4
6" x 3"	7.250	0.109 x 0.065	2211EBB600300F1	2211EBB600300F4
6" x 4"	5.625	0.109 x 0.083	2211EBB600400F1	2211EBB600400F4



Clamp x Clamp Eccentric Reducers – 2221E



BPE Table DT-4.1.3-3
ASME BPE 2019

Tube O.D.	A (in)	PL finish – SF1	PM finish – SF4
3/4" x 1/2"	3.125	2221EBB075050F1	2221EBB075050F4
1" x 1/2"	3.500	2221EBB100050F1	2221EBB100050F4
1" x 3/4"	3.125	2221EBB100075F1	2221EBB100075F4
1-1/2" x 3/4"	4.000	2221EBB150075F1	2221EBB150075F4
1-1/2" x 1"	3.500	2221EBB150100F1	2221EBB150100F4
2" x 1"	4.375	2221EBB200100F1	2221EBB200100F4
2" x 1-1/2"	3.500	2221EBB200150F1	2221EBB200150F4
2-1/2" x 1-1/2"	4.375	2221EBB250150F1	2221EBB250150F4
2-1/2" x 2"	3.500	2221EBB250200F1	2221EBB250200F4
3" x 1-1/2"	5.250	2221EBB300150F1	2221EBB300150F4
3" x 2"	4.375	2221EBB300200F1	2221EBB300200F4
3" x 2-1/2"	3.625	2221EBB300250F1	2221EBB300250F4
4" x 2"	6.250	2221EBB400200F1	2221EBB400200F4
4" x 2-1/2"	5.375	2221EBB400250F1	2221EBB400250F4
4" x 3"	5.000	2221EBB400300F1	2221EBB400300F4
6" x 3"	8.500	2221EBB600300F1	2221EBB600300F4
6" x 4"	7.000	2221EBB600400F1	2221EBB600400F4

NOTE: BPE 2019 Specifications:

PL Finish – SF1
O.D. = 32Ra Mechanically Polished
I.D. = 20Ra Mechanically Polished

PM Finish – SF4
O.D. = 32Ra Mechanically Polished
I.D. = 15Ra Mechanically Polished and Electropolished