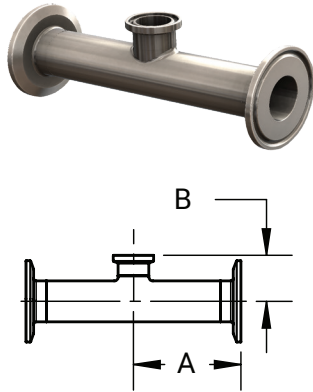


High Purity BioPharm Line

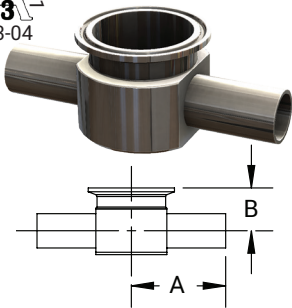
Clamp x Clamp x Clamp Short Outlet Reducing Tees – T7RMPS



BPE Table DT-4.1.2-9  
ASME BPE 2019

Tube O.D.	A (in)	B (in)	PL Finish – SF1	PM Finish – SF4
3/4" x 1/2"	2.500	1.000	T7RMPS-075050PL	T7RMPS-075050PM
1" x 1/2"	2.625	1.125	T7RMPS-100050PL	T7RMPS-100050PM
1" x 3/4"			T7RMPS-100075PL	T7RMPS-100075PM
1-1/2" x 1/2"	2.875	1.375	T7RMPS-150050PL	T7RMPS-150050PM
1-1/2" x 3/4"			T7RMPS-150075PL	T7RMPS-150075PM
1-1/2" x 1"	3.375	1.625	T7RMPS-200050PL	T7RMPS-200050PM
2" x 1/2"			T7RMPS-200075PL	T7RMPS-200075PM
2" x 3/4"	3.625	1.875	T7RMPS-200100PL	T7RMPS-200100PM
2" x 1"			T7RMPS-200150PL	T7RMPS-200150PM
2" x 1-1/2"	3.875	2.125	T7RMPS-250050PL	T7RMPS-250050PM
2-1/2" x 1/2"			T7RMPS-250075PL	T7RMPS-250075PM
2-1/2" x 3/4"	4.750	2.625	T7RMPS-250100PL	T7RMPS-250100PM
2-1/2" x 1"			T7RMPS-250150PL	T7RMPS-250150PM
2-1/2" x 1-1/2"	7.125	3.625	T7RMPS-250200PL	T7RMPS-250200PM
2-1/2" x 2"			T7RMPS-300050PL	T7RMPS-300050PM
3" x 1/2"	3.875	2.125	T7RMPS-300075PL	T7RMPS-300075PM
3" x 3/4"			T7RMPS-300100PL	T7RMPS-300100PM
3" x 1"	4.750	2.625	T7RMPS-300150PL	T7RMPS-300150PM
3" x 1-1/2"			T7RMPS-300200PL	T7RMPS-300200PM
3" x 2"	7.125	3.750	T7RMPS-300250PL	T7RMPS-300250PM
3" x 2-1/2"			T7RMPS-400050PL	T7RMPS-400050PM
4" x 1/2"	4.750	2.625	T7RMPS-400075PL	T7RMPS-400075PM
4" x 3/4"			T7RMPS-400100PL	T7RMPS-400100PM
4" x 1"	7.125	3.625	T7RMPS-400150PL	T7RMPS-400150PM
4" x 1-1/2"			T7RMPS-400200PL	T7RMPS-400200PM
4" x 2"	7.125	3.750	T7RMPS-400250PL	T7RMPS-400250PM
4" x 2-1/2"			T7RMPS-400300PL	T7RMPS-400300PM
4" x 3"	7.125	3.750	T7RMPS-600300PL	T7RMPS-600300PM
6" x 3"			T7RMPS-600400PL	T7RMPS-600400PM
6" x 4"				

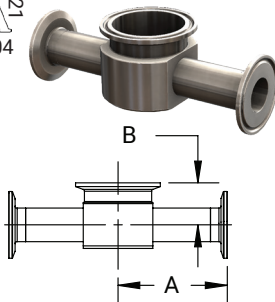
Weld x Weld x Clamp Instrument Tees – T7IWWMS



BPE Table DT-4.1.2-10  
ASME BPE 2019

Tube O.D.	A (in)	B (in)	Nominal Wall (in)	PL Finish – SF1	PM Finish – SF4
1/2" x 1-1/2"	2.500	0.875	0.065	T7IWWMS050150PL	T7IWWMS050150PM
3/4" x 1-1/2"		1.000		T7IWWMS075150PL	T7IWWMS075150PM
1" x 1-1/2"	1.125	T7IWWMS100150PL		T7IWWMS100150PM	
1/2" x 2"	2.750	1.000		T7IWWMS050200PL	T7IWWMS050200PM
3/4" x 2"		1.125		T7IWWMS075200PL	T7IWWMS075200PM
1" x 2"	2.750	1.250		T7IWWMS100200PL	T7IWWMS100200PM
1-1/2" x 2"		1.500		T7IWWMS150200PL	T7IWWMS150200PM

Clamp x Clamp x Clamp Instrument Tees – T7IMPS



Tube O.D.	A (in)	B (in)	PL Finish – SF1	PM Finish – SF4
1/2" x 1-1/2"	3.000	0.875	T7IMPS-050150PL	T7IMPS-050150PM
3/4" x 1-1/2"		1.000	T7IMPS-075150PL	T7IMPS-075150PM
1" x 1-1/2"		1.125	T7IMPS-100150PL	T7IMPS-100150PM
1/2" x 2"	3.250	1.000	T7IMPS-050200PL	T7IMPS-050200PM
3/4" x 2"		1.125	T7IMPS-075200PL	T7IMPS-075200PM
1" x 2"		1.250	T7IMPS-100200PL	T7IMPS-100200PM
1-1/2" x 2"		1.500	T7IMPS150200PL	T7IMPS150200PM

NOTE: BPE 2019 Specifications: PL Finish – SF1 O.D. = 32Ra Mechanically Polished O.D. = 32Ra Mechanically Polished  
 BPE Table DT-4.1.2-11 I.D. = 20Ra Mechanically Polished I.D. = 15Ra Mechanically Polished and Electropolished  
 ASME BPE 2019