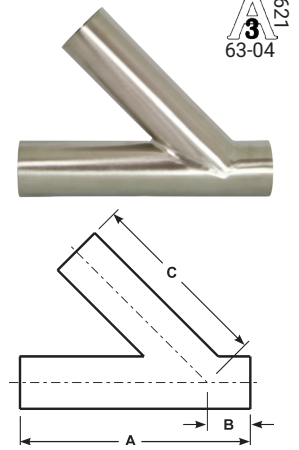


## Laterals, Wyes, Crosses, Bends, and Flanges

### Weld Laterals – B28WA

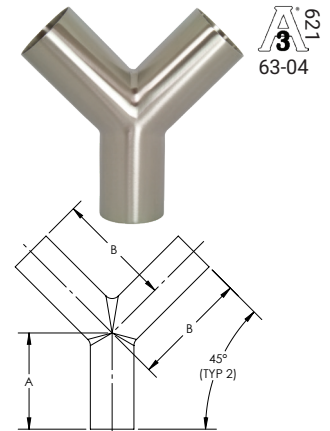
Tube O.D.	A (in)	B (in)	C (in)	Nominal Wall (in)	316L Stainless Steel Part #
1"	6.00	1.00	5.00	.065	B28WA-R100P
1-1/2"	7.38	1.19	6.19		B28WA-R150P
2"	8.75	1.63	7.13		B28WA-R200P
2-1/2"	10.00	1.50	8.50		B28WA-R250P
3"	10.75	1.88	8.88		B28WA-R300P
4"	12.81	2.02	10.75	.083	B28WA-R400P
6"	18.00	3.50	14.50	.109	B28WA-R600P
8"	22.00	5.00	17.00		B28WA-R800P



621  
3  
63-04

### Weld True Wyes – B28W

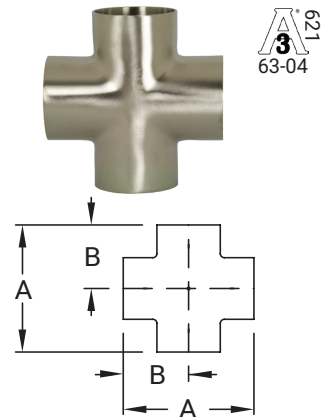
Tube O.D.	A (in)	B (in)	Nominal Wall (in)	316L Stainless Steel Part #
1"	3.50	2.65	.065	B28W-R100P
1-1/2"	2.31	2.75		B28W-R150P
2"	3.04	3.66		B28W-R200P
2-1/2"	3.89	4.64		B28W-R250P
3"	4.62	5.50		B28W-R300P
4"	6.20	6.40	.083	B28W-R400P
6"	3.50	8.00	.109	B28W-R600P



621  
3  
63-04

### Weld Crosses – B9WWWW

Tube O.D.	A (in)	B (in)	Nominal Wall (in)	304 Stainless Steel Part #	316L Stainless Steel Part #
1"	2.25	1.13	.065	B9WWWW-G100P	B9WWWW-R100P
1-1/2"	3.31	1.66		B9WWWW-G150P	B9WWWW-R150P
2"	4.13	2.06		B9WWWW-G200P	B9WWWW-R200P
2-1/2"	4.69	2.34		B9WWWW-G250P	B9WWWW-R250P
3"	5.19	2.59		B9WWWW-G300P	B9WWWW-R300P
4"	6.88	3.44		.083	B9WWWW-G400P

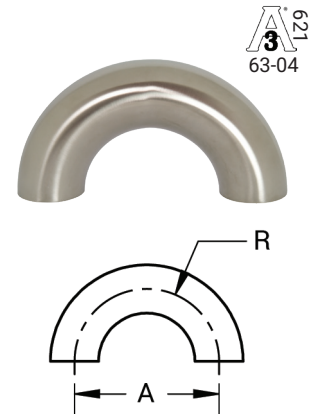


621  
3  
63-04

M

### Weld 180° Return Bends – B2WUL

Tube O.D.	A (in)	R (in)	Nominal Wall (in)	316L Stainless Steel Part #
1"	3.00	1.50	.065	B2WUL-R100P
1-1/2"	4.50	2.25		B2WUL-R150P
2"	6.00	3.00		B2WUL-R200P
2-1/2"	7.50	3.75		B2WUL-R250P
3"	9.00	4.50		B2WUL-R300P
4"	12.00	6.00	.083	B2WUL-R400P



621  
3  
63-04