

Weld Sweep Elbows

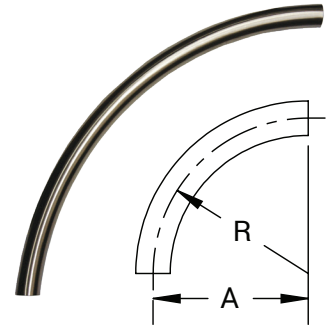
Feature

- Standard comes without tangents; for tangents or 45° options, call Dixon Sanitary 800.789.1718

12" 90° Weld Sweep Elbows – B2SXL



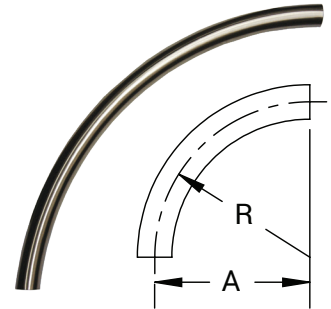
Tube O.D.	A (in)	R (in)	Nominal Wall (in)	316L Stainless Steel Part #
1"	12.00	12.00	.065	B2SXL12-R100
1-1/2"				B2SXL12-R150
2"				B2SXL12-R200
2-1/2"				B2SXL12-R250
3"				B2SXL12-R300
4"			.083	B2SXL12-R400



18" 90° Weld Sweep Elbows – B2SXL



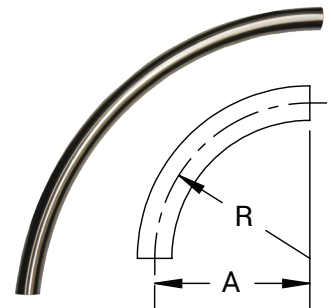
Tube O.D.	A (in)	R (in)	Nominal Wall (in)	316L Stainless Steel Part #
1"	18.00	18.00	.065	B2SXL18-R100
1-1/2"				B2SXL18-R150
2"				B2SXL18-R200
2-1/2"				B2SXL18-R250
3"				B2SXL18-R300
4"			.083	B2SXL18-R400



24" 90° Weld Sweep Elbows – B2SXL



Tube O.D.	A (in)	R (in)	Nominal Wall (in)	316L Stainless Steel Part #
1-1/2"	24.00	24.00	.065	B2SXL24-R150
2"				B2SXL24-R200
2-1/2"				B2SXL24-R250
3"				B2SXL24-R300
4"				B2SXL24-R400
6"			.109	B2SXL24-R600



36" 90° Weld Sweep Elbows – B2SXL



Tube O.D.	A (in)	R (in)	Nominal Wall (in)	316L Stainless Steel Part #
1-1/2"	36.00	36.00	.065	B2SXL36-R150
2"				B2SXL36-R200
2-1/2"				B2SXL36-R250
3"				B2SXL36-R300
4"				B2SXL36-R400
6"			.109	B2SXL36-R600

