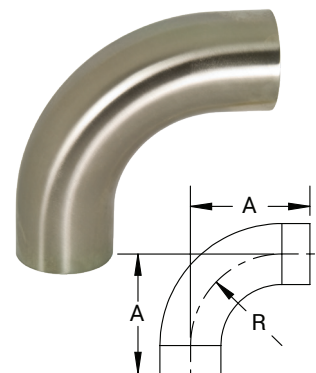


Weld Elbows

90° Weld Elbows with Tangents – B2S



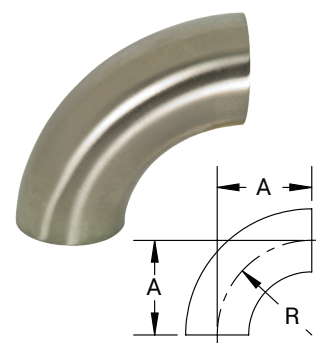
| Tube O.D. | A (in) | R (in) | Nominal Wall (in) | 304 Stainless Steel Part # | 316L Stainless Steel Part # |
|-----------|--------|--------|-------------------|----------------------------|-----------------------------|
| 1/2" | 3.00 | 1.13 | .065 | B2S-G50P | B2S-R50P |
| 3/4" | | | | B2S-G75P | B2S-R75P |
| 1" | 2.06 | 1.50 | | B2S-G100P | B2S-R100P |
| 1-1/2" | 2.94 | 2.25 | | B2S-G150P | B2S-R150P |
| 2" | 4.06 | 3.00 | | B2S-G200P | B2S-R200P |
| 2-1/2" | 5.19 | 3.75 | | B2S-G250P | B2S-R250P |
| 3" | 6.31 | 4.50 | | B2S-G300P | B2S-R300P |
| 4" | 8.31 | 6.00 | | .083 | B2S-G400P |
| 6" | 12.46 | 9.00 | .109 | B2S-G600P | B2S-R600P |



90° Weld Elbows – B2WCL



| Tube O.D. | A (in) | R (in) | Nominal Wall (in) | 304 Stainless Steel Part # | 316L Stainless Steel Part # |
|-----------|--------|--------|-------------------|----------------------------|-----------------------------|
| 1/2" | 1.13 | 1.13 | .065 | --- | B2WCL-R50P |
| 3/4" | | | | --- | B2WCL-R75P |
| 1" | 1.50 | 1.50 | | B2WCL-G100P | B2WCL-R100P |
| 1-1/2" | 2.25 | 2.25 | | B2WCL-G150P | B2WCL-R150P |
| 2" | 3.00 | 3.00 | | B2WCL-G200P | B2WCL-R200P |
| 2-1/2" | 3.75 | 3.75 | | B2WCL-G250P | B2WCL-R250P |
| 3" | 4.50 | 4.50 | | B2WCL-G300P | B2WCL-R300P |
| 4" | 6.00 | 6.00 | | .083 | B2WCL-G400P |
| 6" | 9.00 | 9.00 | .109 | B2WCL-G600P | B2WCL-R600P |
| 8" | 12.00 | 12.00 | | B2WCL-G800P | B2WCL-R800P |
| 10" | 15.00 | 15.00 | | B2WCL-G1000P | B2WCL-R1000P |

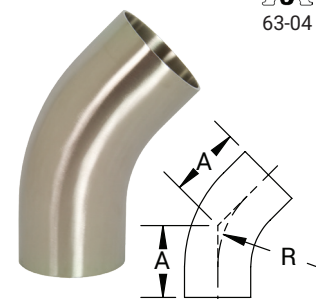


NOTE: Other sizes available upon request.

45° Weld Elbows with Tangents – B2KS



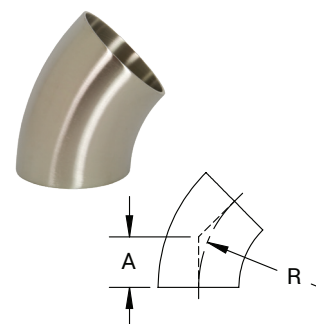
| Tube O.D. | A (in) | R (in) | Nominal Wall (in) | 304 Stainless Steel Part # | 316L Stainless Steel Part # |
|-----------|--------|--------|-------------------|----------------------------|-----------------------------|
| 1/2" | 2.25 | 1.13 | .065 | --- | B2KS-R50P |
| 3/4" | | | | --- | B2KS-R75P |
| 1" | 1.19 | 1.50 | | B2KS-G100P | B2KS-R100P |
| 1-1/2" | 1.63 | 2.25 | | B2KS-G150P | B2KS-R150P |
| 2" | 2.31 | 3.00 | | B2KS-G200P | B2KS-R200P |
| 2-1/2" | 3.00 | 3.75 | | B2KS-G250P | B2KS-R250P |
| 3" | 3.69 | 4.50 | | B2KS-G300P | B2KS-R300P |
| 4" | 4.81 | 6.00 | | .083 | B2KS-G400P |



45° Weld Elbows – B2WK



| Tube O.D. | A (in) | R (in) | Nominal Wall (in) | 304 Stainless Steel Part # | 316L Stainless Steel Part # |
|-----------|--------|--------|-------------------|----------------------------|-----------------------------|
| 1/2" | 0.47 | 1.13 | .065 | --- | B2WK-R50P |
| 3/4" | | | | --- | B2WK-R75P |
| 1" | 0.62 | 1.50 | | B2WK-G100P | B2WK-R100P |
| 1-1/2" | 0.94 | 2.25 | | B2WK-G150P | B2WK-R150P |
| 2" | 1.25 | 3.00 | | B2WK-G200P | B2WK-R200P |
| 2-1/2" | 1.56 | 3.75 | | B2WK-G250P | B2WK-R250P |
| 3" | 1.87 | 4.50 | | B2WK-G300P | B2WK-R300P |
| 4" | 2.50 | 6.00 | | .083 | B2WK-G400P |
| 6" | 3.75 | 9.00 | .109 | B2WK-G600P | B2WK-R600P |
| 8" | 4.97 | 12.00 | .109 | B2WK-G800P | B2WK-R800P |
| 10" | 6.25 | 15.00 | .120 | B2WK-G1000P | B2WK-R1000P |



NOTE: Other sizes available upon request.