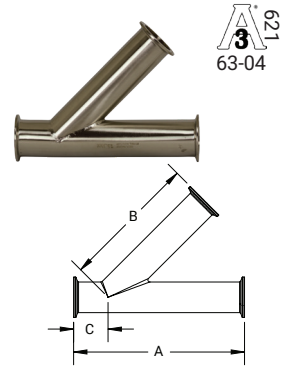


Laterals, Wyes, Crosses, Bends, and Flanges

Clamp Laterals – B28AMP

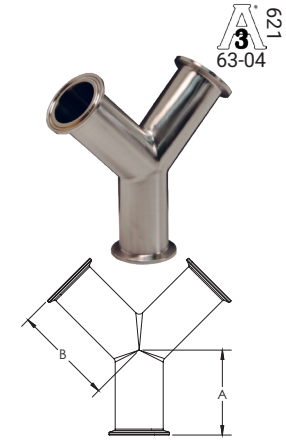
Tube O.D.	A (in)	B (in)	C (in)	316L Stainless Steel Part #
1"	7.00	5.50	1.50	B28AMP-R100
1-1/2"	8.38	6.69	1.69	B28AMP-R150
2"	9.75	7.63	2.13	B28AMP-R200
2-1/2"	11.00	9.00	2.00	B28AMP-R250
3"	11.75	9.38	2.38	B28AMP-R300
4"	14.06	11.31	2.64	B28AMP-R400
6"	19.75	15.38	4.38	B28AMP-R600



621
3
63-04

Clamp True Wyes – B28BMP

Tube O.D.	A (in)	B (in)	316L Stainless Steel Part #
1"	2.71	3.15	B28BMP-R100
1-1/2"	2.81	3.25	B28BMP-R150
2"	3.54	4.16	B28BMP-R200
2-1/2"	4.39	5.14	B28BMP-R250
3"	5.12	6.00	B28BMP-R300
4"	6.83	7.03	B28BMP-R400
6"	3.12	7.62	B28BMP-R600

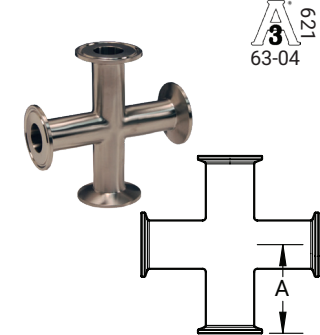


621
3
63-04

NOTE: Other sizes available upon request.

Clamp Crosses – B9MP

Tube O.D.	A (in)	304 Stainless Steel Part #	316L Stainless Steel Part #
1"	2.38	B9MP-G100	B9MP-R100
1-1/2"	2.75	B9MP-G150	B9MP-R150
2"	3.50	B9MP-G200	B9MP-R200
2-1/2"	3.50	B9MP-G250	B9MP-R250
3"	3.75	B9MP-G300	B9MP-R300
4"	4.50	B9MP-G400	B9MP-R400

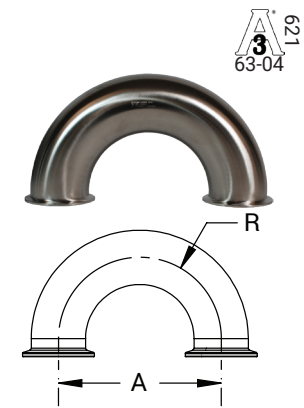


621
3
63-04

M

Clamp 180° Return Bends – B2WUMP

Tube O.D.	A (in)	R (in)	316L Stainless Steel Part #
1"	3.00	1.50	B2WUMP-R100
1-1/2"	4.50	2.25	B2WUMP-R150
2"	6.00	3.00	B2WUMP-R200
2-1/2"	7.50	3.75	B2WUMP-R250
3"	9.00	4.50	B2WUMP-R300
4"	12.00	6.00	B2WUMP-R400



621
3
63-04