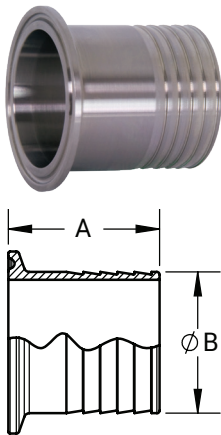


Clamp Fittings – Adapters
Rubber Hose Adapters – 14MPHR

Tube O.D.	Hose Size	A (in)	B (in)	304 Stainless Steel Part #	316L Stainless Steel Part #
1/2"	1/8"	1.25	.15	---	14MPHR-R50125
	1/4"		.29	---	14MPHR-R5025
	3/8"		.42	---	14MPHR-R50375
	1/2"		.54	---	14MPHR-R50
	3/4"		.79	---	14MPHR-R5075
3/4"	1/8"	1.50	.15	---	14MPHR-R75125
	1/4"		.29	---	14MPHR-R7525
	3/8"		.42	---	14MPHR-R75375
	1/2"		.54	---	14MPHR-R7550
	3/4"		.79	---	14MPHR-R75
	5/8"		.67	---	14MPHR-R75625
1"	1/4"	1.69	.29	---	14MPHR-R10025
	3/8"	1.50	.42	14MPHR-G100375	14MPHR-R100375
	1/2"		.54	14MPHR-G10050	14MPHR-R10050
	3/4"	1.69	.79	14MPHR-G10075	14MPHR-R10075
	1"		1.04	14MPHR-G100	14MPHR-R100
1-1/2"	1/8"	1.50	.17	14MPHR-G150125	14MPHR-R150125
	1/4"		.29	---	14MPHR-R15025
	3/8"		.42	14MPHR-G150375	14MPHR-R150375
	1/2"		.54	14MPHR-G15050	14MPHR-R15050
	5/8"		.79	14MPHR-G150625	14MPHR-R150625
	3/4"		.67	14MPHR-G15075	14MPHR-R15075
	1"	1.69	1.04	14MPHR-G150100	14MPHR-R150100
	1-1/4"		1.29	---	14MPHR-R150-125
	1-1/2"		1.54	14MPHR-G150	14MPHR-R150
2"	1/8"	2.31	.17	14MPHR-G200125	14MPHR-R200125
	1/2"		.54	---	14MPHR-R20050
	5/8"		.67	14MPHR-G200625	---
	3/4"		.79	14MPHR-G20075	14MPHR-R20075
	1"		1.04	14MPHR-G200100	---
	1-1/2"		1.54	14MPHR-G200150	14MPHR-R200150
	2"		2.04	14MPHR-G200	14MPHR-R200
2-1/2"	1"	2.34	1.04	14MPHR-G250100	---
	2-1/2"		2.54	14MPHR-G250	14MPHR-R250
3"	3"	3.09	3.04	14MPHR-G300	14MPHR-R300
4"	3"	3.41	3.04	---	14MPHR-R400300
	4"		4.04	14MPHR-G400	14MPHR-R400
6"	6"	3.41	6.04	14MPHR-G600	14MPHR-R600
8"	8"		8.04	14MPHR-G800	14MPHR-R800
10"	10"		3.40	1.04	14MPHR-G1000

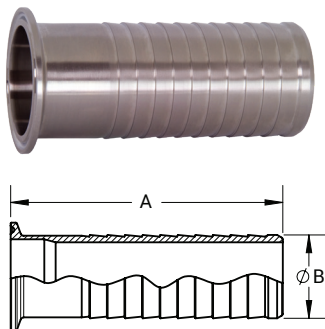


1. Make sure the I.D. of the hose is slightly bigger than the O.D. of the fitting.
2. Insert 14MPHR fitting into the I.D. of the hose, so that the hose is 1/2" away from the clamp connection.
3. Use a band clamp to secure the hose to the 14MPHR.

Brewery Hose Barb Adapters – 14MPHRL

Application

- Suitable for use with band clamps



Size	A (in)	B (in)	304 Stainless Steel Part #
1/2"	3.35	.53	14MPHRL50
3/4"		.81	14MPHRL75
1"	3.50	1.05	14MPHRL100
1-1/2"	5.00	1.55	14MPHRL150
2"		2.05	14MPHRL200
2-1/2"		2.55	14MPHRL250
3"		3.05	14MPHRL300
4"		4.05	14MPHRL400
6"		6.05	14MPHRL600

NOTE: Use of PVC tubing requires special techniques to prevent leakage. All assembly work must be done with heated tube. Cold durometer is 90 as opposed to rubber hose at 65 to 70 durometer. Banding buckles must be at 180° from one another.

