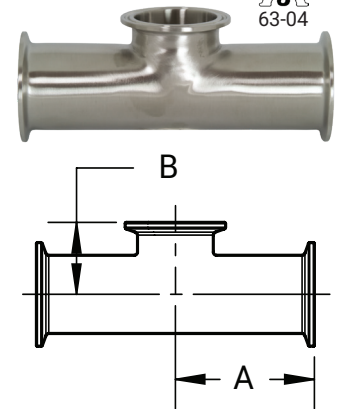


Clamp Fittings – Tees

Short Outlet Tees – B7MPS

621
3
63-04

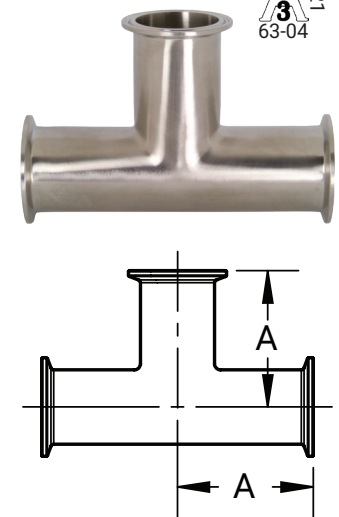
| Tube O.D. | A (in) | B (in) | 304 Stainless Steel Part # | 316L Stainless Steel Part # |
|-----------|--------|--------|----------------------------|-----------------------------|
| 1" | 2.38 | 1.13 | B7MPS-G100 | B7MPS-R100 |
| 1-1/2" | 2.75 | 1.38 | B7MPS-G150 | B7MPS-R150 |
| 2" | 3.50 | 1.63 | B7MPS-G200 | B7MPS-R200 |
| 2-1/2" | 3.50 | 1.88 | B7MPS-G250 | B7MPS-R250 |
| 3" | 3.75 | 2.13 | B7MPS-G300 | B7MPS-R300 |
| 4" | 4.50 | 2.75 | B7MPS-G400 | B7MPS-R400 |



Clamp Tees – B7MP

621
3
63-04

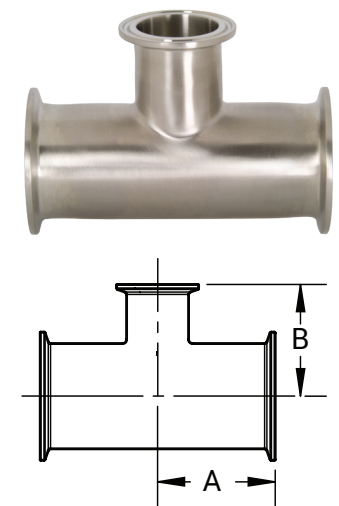
| Tube O.D. | A (in) | 304 Stainless Steel Part # | 316L Stainless Steel Part # |
|-----------|--------|----------------------------|-----------------------------|
| 1/2" | 2.38 | --- | B7MP-R50 |
| 3/4" | 2.50 | --- | B7MP-R75 |
| 1" | 2.38 | B7MP-G100 | B7MP-R100 |
| 1-1/2" | 2.75 | B7MP-G150 | B7MP-R150 |
| 2" | 3.50 | B7MP-G200 | B7MP-R200 |
| 2-1/2" | 3.50 | B7MP-G250 | B7MP-R250 |
| 3" | 3.75 | B7MP-G300 | B7MP-R300 |
| 4" | 4.50 | B7MP-G400 | B7MP-R400 |
| 6" | 6.50 | B7MP-G600 | B7MP-R600 |
| 8" | 7.88 | B7MP-G800 | B7MP-R800 |
| 10" | 9.38 | B7MP-G1000 | --- |
| 12" | 10.88 | B7MP-G1200 | --- |



Clamp Reducing Tees – B7RMP

621
3
63-04

| Tube O.D. | A (in) | B (in) | 304 Stainless Steel Part # | 316L Stainless Steel Part # |
|-----------------|--------|--------|----------------------------|-----------------------------|
| 3/4" x 1/2" | 2.50 | 2.50 | --- | B7RMP-R7550 |
| 1" x 1/2" | 2.63 | 2.63 | --- | B7RMP-R10050 |
| 1" x 3/4" | | | --- | B7RMP-R10075 |
| 1-1/2" x 1/2" | 2.88 | 2.88 | --- | B7RMP-R15050 |
| 1-1/2" x 3/4" | | | --- | B7RMP-R15075 |
| 1-1/2" x 1" | 2.16 | 1.88 | B7RMP-G150100 | B7RMP-R150100 |
| 2" x 1/2" | 3.38 | 3.13 | --- | B7RMP-R20050 |
| 2" x 3/4" | | | --- | B7RMP-R20075 |
| 2" x 1" | 2.56 | 2.13 | B7RMP-G200100 | B7RMP-R200100 |
| 2" x 1-1/2" | | 2.41 | B7RMP-G200150 | B7RMP-R200150 |
| 2-1/2" x 1-1/2" | 2.84 | 2.66 | B7RMP-G250150 | B7RMP-R250150 |
| 2-1/2" x 2" | | 2.81 | B7RMP-G250200 | B7RMP-R250200 |
| 3" x 1-1/2" | 3.09 | 2.91 | B7RMP-G300150 | B7RMP-R300150 |
| 3" x 2" | | 3.06 | B7RMP-G300200 | B7RMP-R300200 |
| 3" x 2-1/2" | | 3.09 | B7RMP-G300250 | B7RMP-R300250 |
| 4" x 1-1/2" | 4.06 | 3.41 | B7RMP-G400150 | B7RMP-R400150 |
| 4" x 2" | | 3.56 | B7RMP-G400200 | B7RMP-R400200 |
| 4" x 2-1/2" | | 3.59 | B7RMP-G400250 | B7RMP-R400250 |
| 4" x 3" | | | B7RMP-G400300 | B7RMP-R400300 |



M