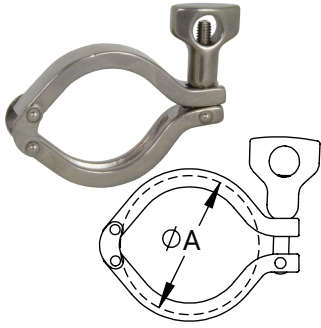


Clamps

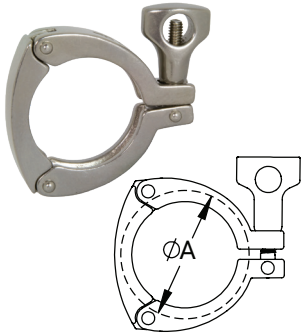
Double Pin Heavy Duty Clamps – 13MHHM-DP



Tube O.D.	Service Pressure Rating PSI at 70°F (21°C) <sup>1</sup>	Service Pressure Rating PSI at 250°F (121°C) <sup>1</sup>	A (in)	304 Stainless Steel Part #
1" – 1-1/2"	500	300	2.12	13MHHM-DP100150
2"	450	250	2.65	13MHHM-DP200
2-1/2"	400	200	3.19	13MHHM-DP250
3"	350	175	3.72	13MHHM-DP300
4"	300	150	4.82	13MHHM-DP400
10"	100	50	10.74	13MHHM-DP1000

<sup>1</sup>Wing nut tightened to 25 in-lb of torque

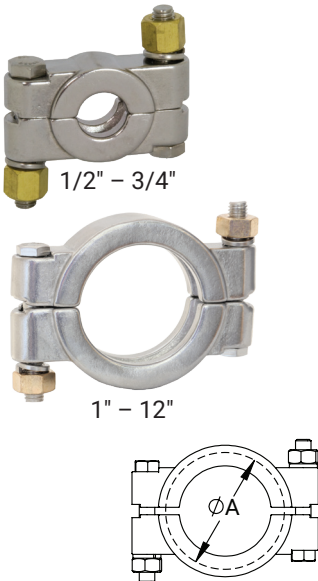
Three Segment Clamps – 13MHHM-3P



Tube O.D.	Service Pressure Rating PSI at 70°F (21°C) <sup>1</sup>	Service Pressure Rating PSI at 250°F (121°C) <sup>1</sup>	A (in)	304 Stainless Steel Part #
1" – 1-1/2"	600	300	2.12	13MHHM-3P100150
2"	550	275	2.65	13MHHM-3P200
2-1/2"	450	225	3.19	13MHHM-3P250
3"	350	175	3.72	13MHHM-3P300
4"	300	150	4.82	13MHHM-3P400
12"	75	50	12.74	13MHHM-3P1200

<sup>1</sup>Wing nut tightened to 25 in-lb of torque

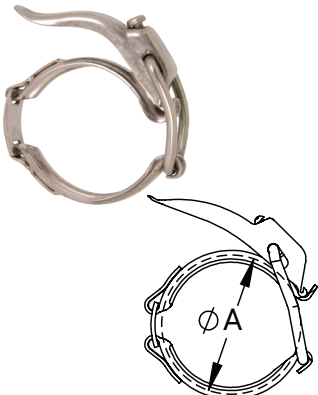
Bolted Clamps – 13MHP



Tube O.D.	Service Pressure Rating PSI at 70°F (21°C) <sup>1</sup>	Service Pressure Rating PSI at 250°F (121°C) <sup>1</sup>	A (in)	304 Stainless Steel Part #
1/2" – 3/4"	1500	1200	1.06	13MHP75
1" – 1-1/2"			2.05	13MHP100-150
2"	1000	800	2.58	13MHP200
2-1/2"			3.11	13MHP250
3"			3.64	13MHP300
4"			4.74	13MHP400
5"	300	200	5.76	13MHP500
6"			6.63	13MHP600
8"	250	150	8.64	13MHP800
10"	200	125	10.74	13MHP1000
12"	150	100	12.74	13MHP1200

<sup>1</sup>All nuts are tightened to 20 ft-lb of torque

Toggle Clamps – 13MHLA



Tube O.D.	Service Pressure Rating PSI at 70°F (21°C) <sup>1</sup>	Service Pressure Rating PSI at 250°F (121°C) <sup>1</sup>	A (in)	304 Stainless Steel Part #
1" – 1-1/2"	150	125	2.12	13MHLA100-150
2"			2.65	13MHLA200
2-1/2"			3.19	13MHLA250
3"			3.72	13MHLA300
4"	100	75	4.82	13MHLA400

<sup>1</sup>Screw tightened to maximum

M