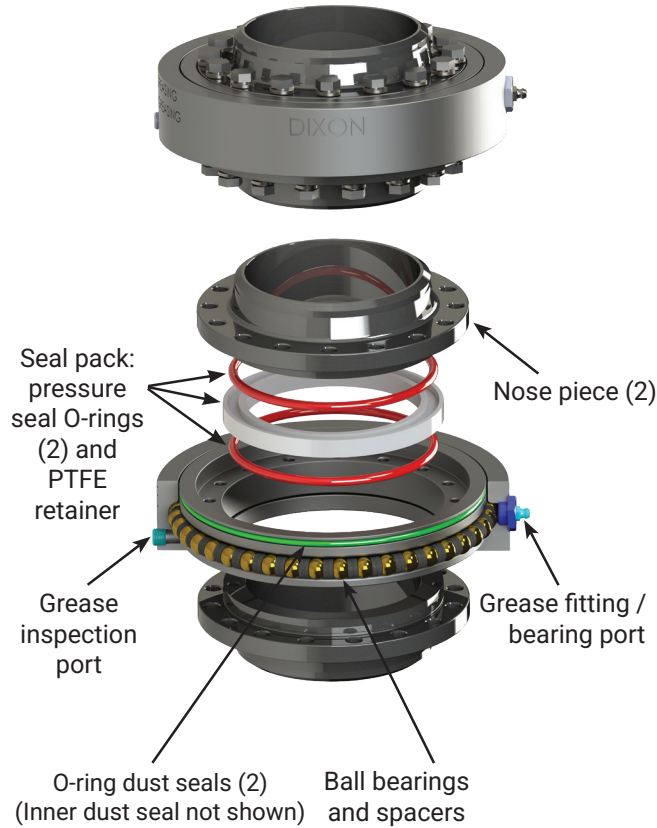


Split Flange Swivels



Applications

- For use in industries from petroleum, blending plants, petrochemical, refining, mining, distilling, paint plants, farm irrigation and fertilizing, wastewater treatment, food and beverage process equipment, marine, and many more

Sizes

- 2", 3", and 4"

Features

- Bearing pack design allows easy seal change without removing the ball bearings
- Simple maintenance: remove one nose piece, replace seal pack, and reinstall with little downtime
- In-stream seal separates the wetted area from the ball bearings, allowing for longer bearing pack life compared to conventional swivels
- Wide-set bearing race for higher moment loads
- Compact design for low-profile applications
- Full penetration weld

Materials

- Bearing pack: through hardened forged high-carbon alloy
- Material contact surfaces: stainless steel, carbon steel, or aluminum nose pieces
- Seals: FKM-A, PTFE, and more upon request

Specifications

- Pressure rating: up to **600 PSI**
- Standard temperature range with Baylast seals is **-30°F to 212°F (-34°C to 100°C)**; contact factory for other temperature requirements

Available options

- Swivel end configurations: 150 lbs. and 300 lbs. flanges, FNPT, MNPT, butt weld, TTMA, and others upon request

Split Flange Swivel Joint Numbering System

SF	2	20	F	x	F	CS	1	1
Split Flange	Sizes Inches	Style	End Connection	x	End Connection	Nose Piece	Seal Material	Grease
SF	2 = 2"	20	F (FNPT)	x	F (FNPT)	CS carbon steel	0 = Baylast™	0 = Standard
	3 = 3"	30	W (weld)	x	W (weld)	SS 316L stainless steel	1 = FKM	1 = Food grade
	4 = 4"	40	FG (150#)	x	FG (150#)	AL - Aluminum	2 = PTFE	2 = Silicone
		50	PF (300#)	x	PF (300#)		3 = EPDM	3 = Tribolube
		60	TF (TTMA)	x	TF (TTMA)		4 = FDA nitrile rubber	4 = Low temperature
		70	BP (BSPP)	x	BP (BSPP)		A = low temp FKM	
		80	BT (BSPT)	x	BT (BSPT)			
		10	M (MNPT)		M (MNPT)			

NOTE: Other ends or seals are available upon request.