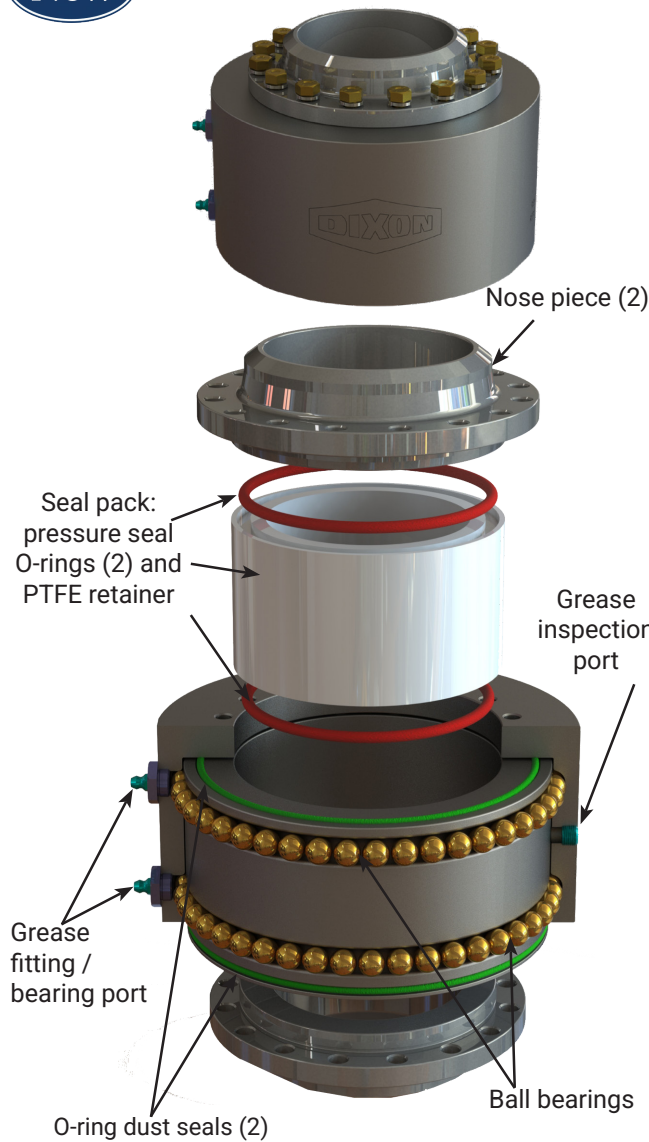


New

High Capacity Swivel Joints

C



Applications

- For use in industries from petroleum, steel producing, blending plants, petrochemical, refining, mining, distilling, paint plants, farm irrigation and fertilizing, wastewater treatment, food and beverage process equipment, marine, and many more
- Ideal for high moment load applications on loading arms

Sizes

- 2", 3", and 4"

Features

- Bearing pack design allows easy seal change without removing the ball bearings
- Simple maintenance: remove one nose piece, replace seal pack, and reinstall with little downtime
- In-stream seal separates the wetted area from the ball bearings, allowing for longer bearing pack life compared to conventional swivels
- Dual wide-set bearing race and high strength bolts for higher moment loads
- Compact design for low-profile applications
- Full penetration weld

Materials

- Bearing pack: through hardened forged high-carbon alloy
- Material contact surfaces: stainless steel, carbon steel nose pieces
- Seals: Baylast™, FKM, PTFE, and more upon request

Specifications

- Pressure rating: up to **1,000 PSI**
- Standard temperature range with Baylast™ seals is **-30°F to 212°F (-34°C to 100°C)**; contact factory for other temperature requirements

Available options

- Swivel end configurations: 150 lbs. and 300 lbs. flanges, FNPT, MNPT, butt weld, TTMA, and others upon request

High Capacity Swivel Joints Numbering System

HC	2	20	F	x	F	CS	1	1
High Capacity	Sizes Inches	Style	End Connection	x	End Connection	Nose Piece	Seal Material	Grease
HC	2 = 2"	20	F (FNPT)	x	F (FNPT)	CS carbon steel	0 = Baylast	0 = Standard
	3 = 3"	30	W (weld)	x	W (weld)	SS 316L stainless steel	1 = FKM	1 = Food grade
	4 = 4"	40	FG (150#)	x	FG (150#)		2 = PTFE	2 = Silicone
		50	PF (300#)	x	PF (300#)		3 = EPDM	3 = Tribolube
		60	TF (TTMA)	x	TF (TTMA)		4 = FDA nitrile rubber	4 = Low temperature
		70	BP (BSPP)	x	BP (BSPP)		A = low temp FKM	
		80	BT (BSPT)	x	BT (BSPT)			
		10	M (MNPT)		M (MNPT)			