

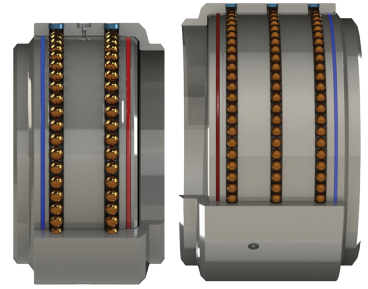
Engineered Fluid Transfer Couplings



Cryogenic Safety Breakaways
page 107



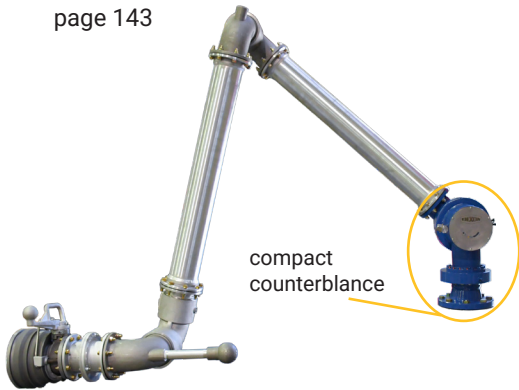
Cryogenic Dry Disconnects
page 108



Cap-Seal and High Capacity Swivel Joints
pages 132, 134

Compact Counterbalance Loading Arm

page 143



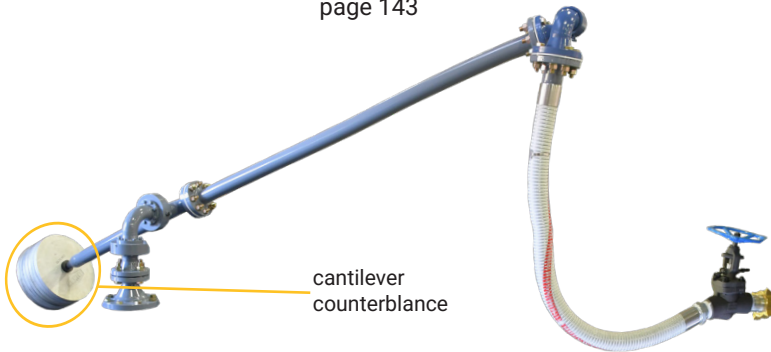
Compression Spring Loading Arm

page 143



Cantilever Counterbalance Loading Arm

page 143



Pneumatic Accessories

page 297



Reelcraft® 20,000 High Pressure Hand Crank
Spray Reel without Hose

D-Connector Breakaways for use in Fuel Terminals

pages 150 and 151



FT7504



FT600CD



FT600D



FT620D